



REDPATH FLEET OF RAISE DRILLS

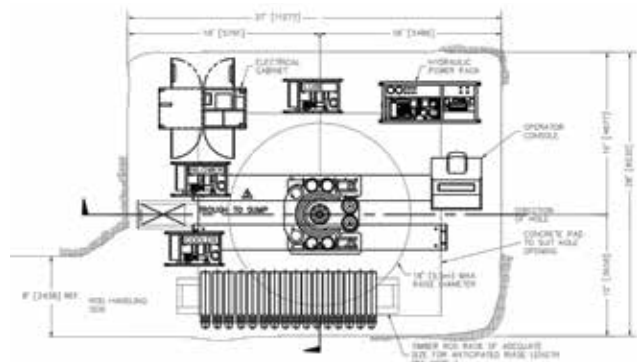
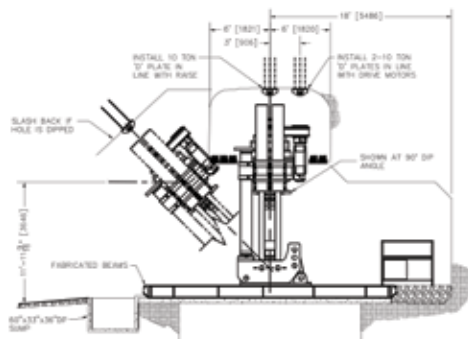
Extended Height	219" (5.56 m)
Footprint Width	93" (2.36 m)
Footprint Depth	84" (2.13 m)
Weight	76,460 lbs (34,682 kg)
Thrust System	
Maximum Upream Force	N/A
Maximum Conventional Ream Force	2,000,000 lbs (8,896.4 kN)
Maximum Downream Force	N/A
Rotation System	
Reaming Torque	475,000 ft / lbs (644 kN.m)
Nominal Parameters	
Pilot Hole Diameter	15" (381 mm)
Drill Pipe Diameter	13 1/8" (333 mm)
Hole Diameter Downream	N/A
Hole Diameter Upream	N/A
Hole Diameter Conventional	20' (6.1 m)
Raise Length Conventional	2,000' (609 m)
Raise Angle	60 - 90°
Options	
Redtrax Transporter	N/A
Erector System	Yes



REDBORE 90

The Redbore 90 addresses the growing demand for a raise drill that will efficiently complete raises up to 20' (6.1 m) in diameter and up to 2,000' (609 m) deep. This considerably more compact drill provides a cost-effective method to bore large diameter raises while minimizing costly underground

excavations. The Redbore 90 is easily dismantled and provides quicker, more efficient equipment mobilization whether on surface or underground; resulting in savings of time and money. Nominal capacities range up to 20' (6.1 m) diameter raises.



* Electrical systems built to suit regional requirements

Note: Drill specifications including thrust, torque, weights and dimensions are approximate and may vary from those provided.