



REDPATH FLEET OF RAISE DRILLS

Extended Height	116" (2.94 m)
Footprint Width	54 1/2" (1.38 m)
Footprint Depth	41" (1.04 m)
Weight	9,000 lbs (4,091 kg)
Thrust System	
Maximum Upream Force	100,000 lbs (444 kN)
Maximum Conventional Ream Force	N/A
Maximum Downream Force	N/A
Rotation System	
Reaming Torque	20,000 ft / lbs (27.1 kN.m)
Nominal Parameters	
Pilot Hole Diameter	9" (228.6 mm)
Drill Pipe Diameter	5 3/4" (146 mm)
Hole Diameter Downream	N/A
Hole Diameter Upream	42" (1.06 m)
Hole Diameter Conventional	N/A
Raise Length	49' (15 m)
Raise Angle	45 - 90°
Options	
Redtrax Transporter	Yes
Erector System	Yes



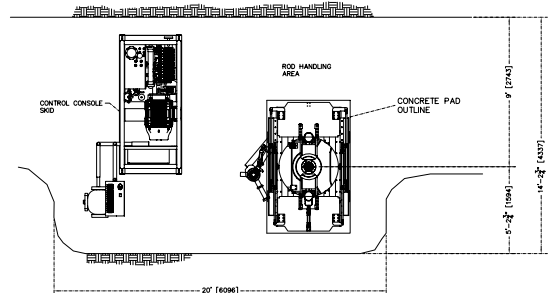
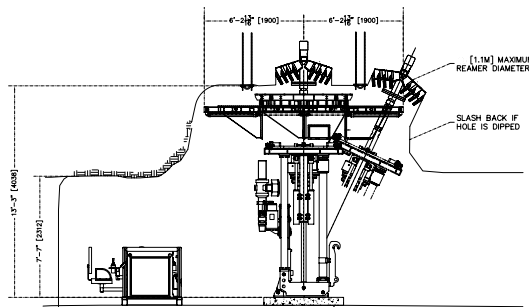
REDTRAX COMPATIBLE

REDBORE 30

The Redbore 30 was designed specifically for rapid boxhole development. It is the lightest, most compact drill in the blindhole and boxhole market. The drill's energy efficient power pack and operating console have been combined, making this unit a highly mobile and productive package.

The machine is equipped with loading pockets and can be moved by most underground scoops and loaders, which greatly minimizes collar-to-collar downtime.

Nominally, the Redbore 30 is capable of boring 42" (1.06 m) diameter raises, up to 49' (15 m) in length.



* Electrical systems built to suit regional requirements
 * Deflectors are optional, must be added to overall height of machine
 * Upream values are nominal, diameter and length are site-specific
 Note: Drill specifications including thrust, torque, weights and dimensions are approximate and may vary from those provided.